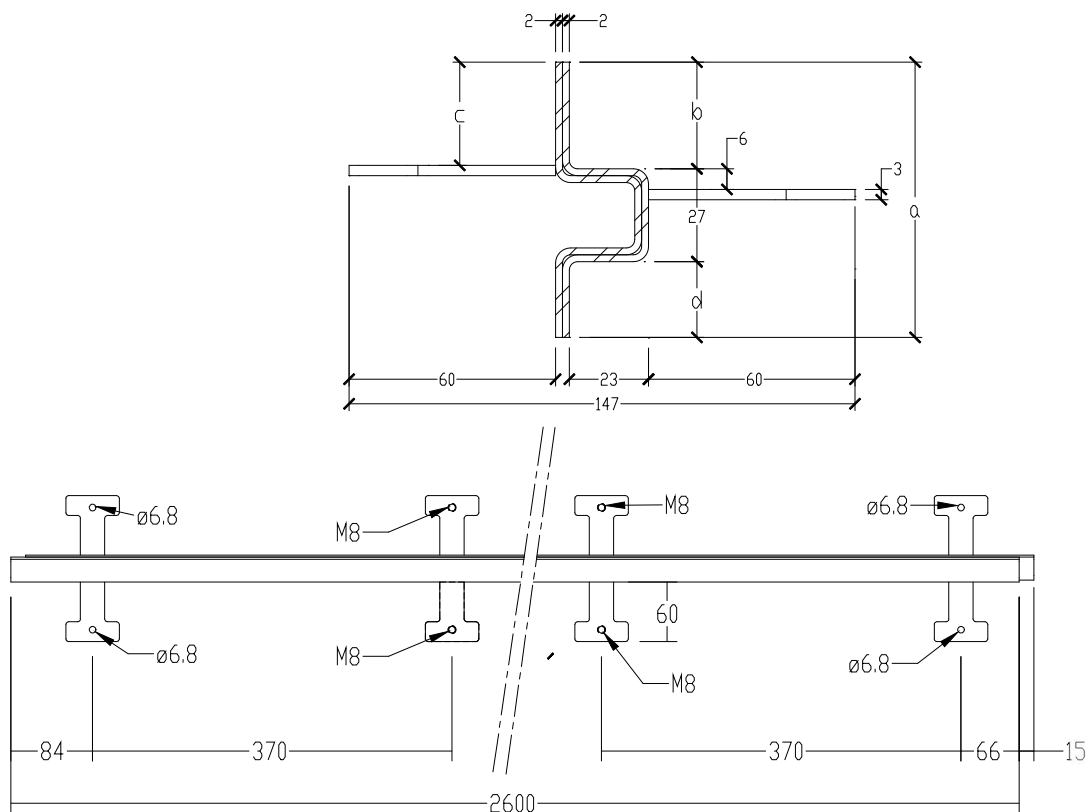


HC-Mini Omega 2 mm



STEEL QUALITY	EN 10025 - S235, cold drawn
MATERIAL THICKNESS	2 x 2 mm
PROFILE LENGTH	2,60 m (+ 5 mm /- 10 mm)
JOINT OPENNING	up to 10 mm
ANCHORAGE STUDS	3 mm flat, T-shaped plate for connecting of anchorage bolts, distance 370 mm, holes of 6,8mm for screws/bolts, 4 T-anchors equipped with M8 thread for levelling.
VERSIONS	Galvanized (zinc/aluminum/magnesium) / stainless / aluminium Optional with +/- 5 mm pre-opening and foam sealing strip type BG1 4-15 x 15 mm, top & bottom

Height a [mm]	Slab thickness [mm]	b [mm]	c [mm]	d [mm]	Weight [kg/m]	Weight [kg/pc]	Pcs/palet [pcs]	m/palet [m]	Gross Weight [kg/pal.]
60	70-80	21	18	12	3,37	8,76	170	442,0	1565
80	90-100	31	28	22	4,03	10,48	160	416,0	1755
100	110-120	41	38	22	4,65	12,09	100	260,0	1285



Document issued September 2023. Hengelhoef Concrete Joints nv. reserves the right to alter the products without notice.
©COPYRIGHT 2023 by Hengelhoef Concrete Joints nv.



HENGELHOEF
CONCRETE JOINTS

Hengelhoefstraat 158, Poort Genk 0420, B-3600 Genk
T. +32 (0)89 32 39 80 · F. +32 (0)89 32 39 88
E. info@hcjoints.be

www.hcjoints.be