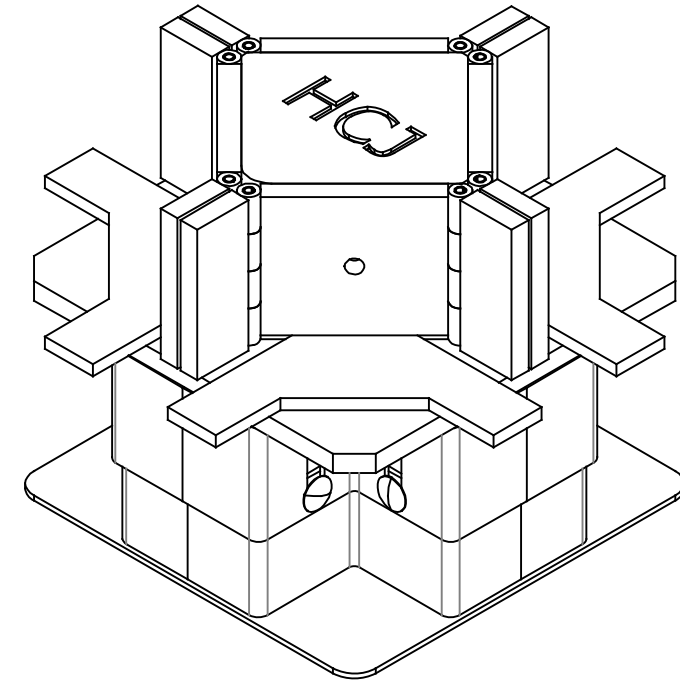
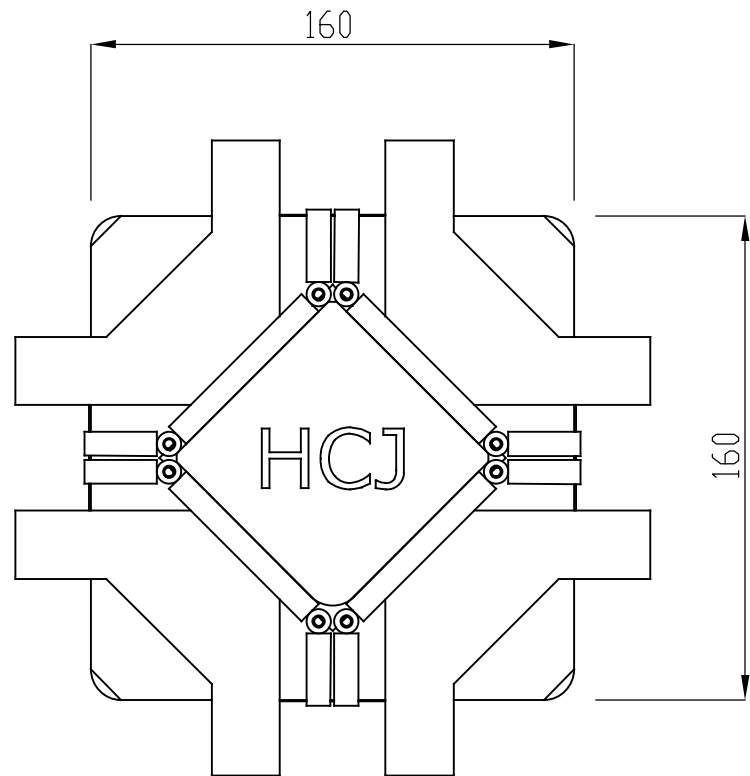


Type

Cosinus Slide X-Crossing Element 115-150
 Cosinus Slide X-Crossing Element 160-215
 Cosinus Slide X-Crossing Element 205-300

min A [mm]	max A [mm]	B [mm]	Weight [kg]
115	150	61	7.8
160	215	81	9.8
205	300	81	10.6



Available materials:

Steel
 Electrogalvanised steel
 Stainless steel

PROPRIETARY AND CONFIDENTIAL

THE INFORMATION CONTAINED IN THIS DRAWING IS THE SOLE PROPERTY OF HCJ ANY REPRODUCTION IN PART OR AS A WHOLE WITHOUT THE WRITTEN PERMISSION OF HCJ IS PROHIBITED.



HENGELHOEF
CONCRETE JOINTS

Hengelhofstraat 158
 3600 Genk, Belgium
 Tel. 0032 89 32 39 82
 Fax. 0032 89 32 39 88
 www.hcjooints.eu
 e-mail info@hcjooints.be

TITLE:

WEIGHT/PC
 Kg

Hcj reserves the right to alter the products without notice

SIZE

DWG. NO.

REV

A3

Cosinus slide X-crossing element

ALL DIMENSIONS ARE IN MM

SCALE: 1:2.5

SHEET 1 OF 3