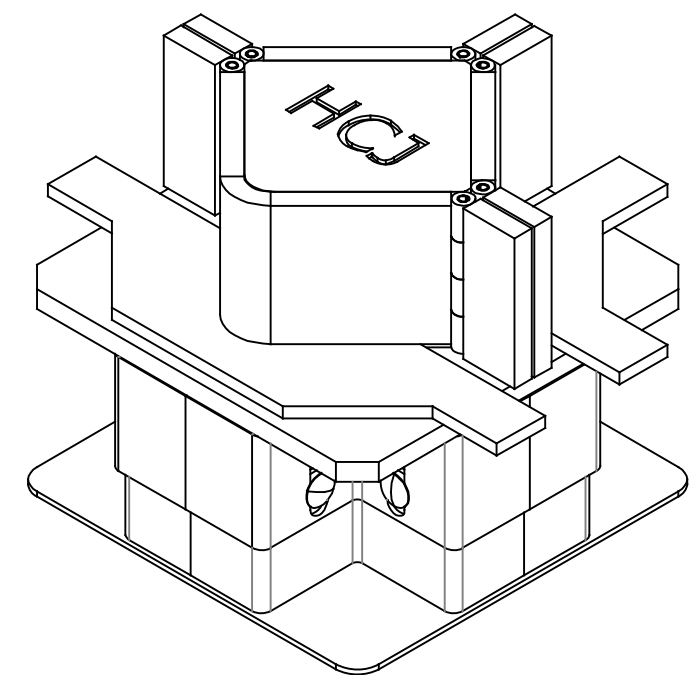
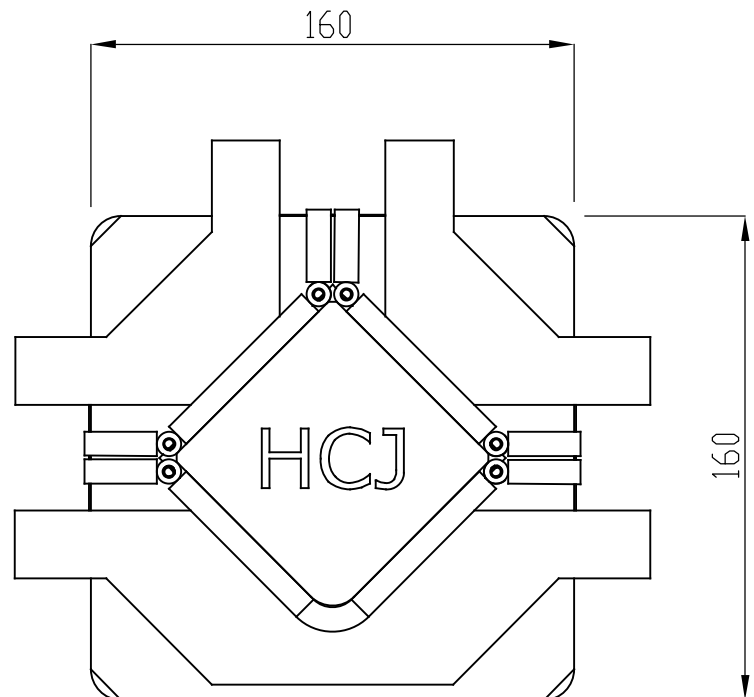


Type	min A [mm]	max A [mm]	B [mm]	Weight [kg]
Cosinus Slide T-Crossing Element 115-150	115	150	61	7.6
Cosinus Slide T-Crossing Element 160-215	160	215	81	9.5
Cosinus Slide T-Crossing Element 205-300	205	300	81	10.3



Available materials:
 Steel
 Electrogalvanised steel
 Stainless steel

PROPRIETARY AND CONFIDENTIAL
 THE INFORMATION CONTAINED IN THIS DRAWING IS THE SOLE PROPERTY OF HCJ ANY REPRODUCTION IN PART OR AS A WHOLE WITHOUT THE WRITTEN PERMISSION OF HCJ IS PROHIBITED.



Hengelhofstraat 158
 3600 Genk, Belgium
 Tel. 0032 89 32 39 82
 Fax. 0032 89 32 39 88
 www.hc-joints.eu
 e-mail info@hc-joints.be

Hcj reserves the right to alter the products without notice

TITLE:		WEIGHT/PC Kg
SIZE A3	DWG. NO. Cosinus slide T-crossing element	REV
ALL DIMENSIONS ARE IN MM		SCALE: 1:2.5
		SHEET 2 OF 3