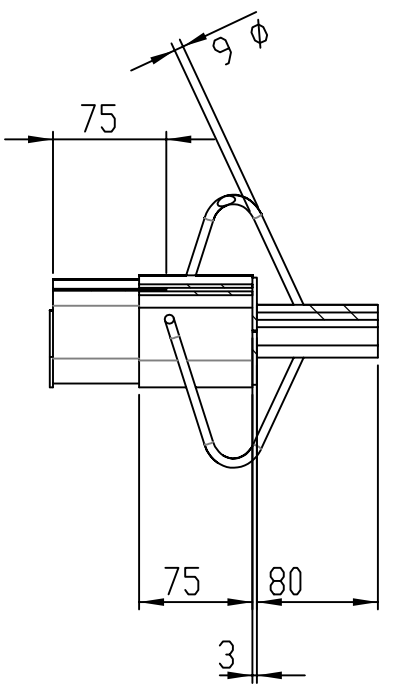
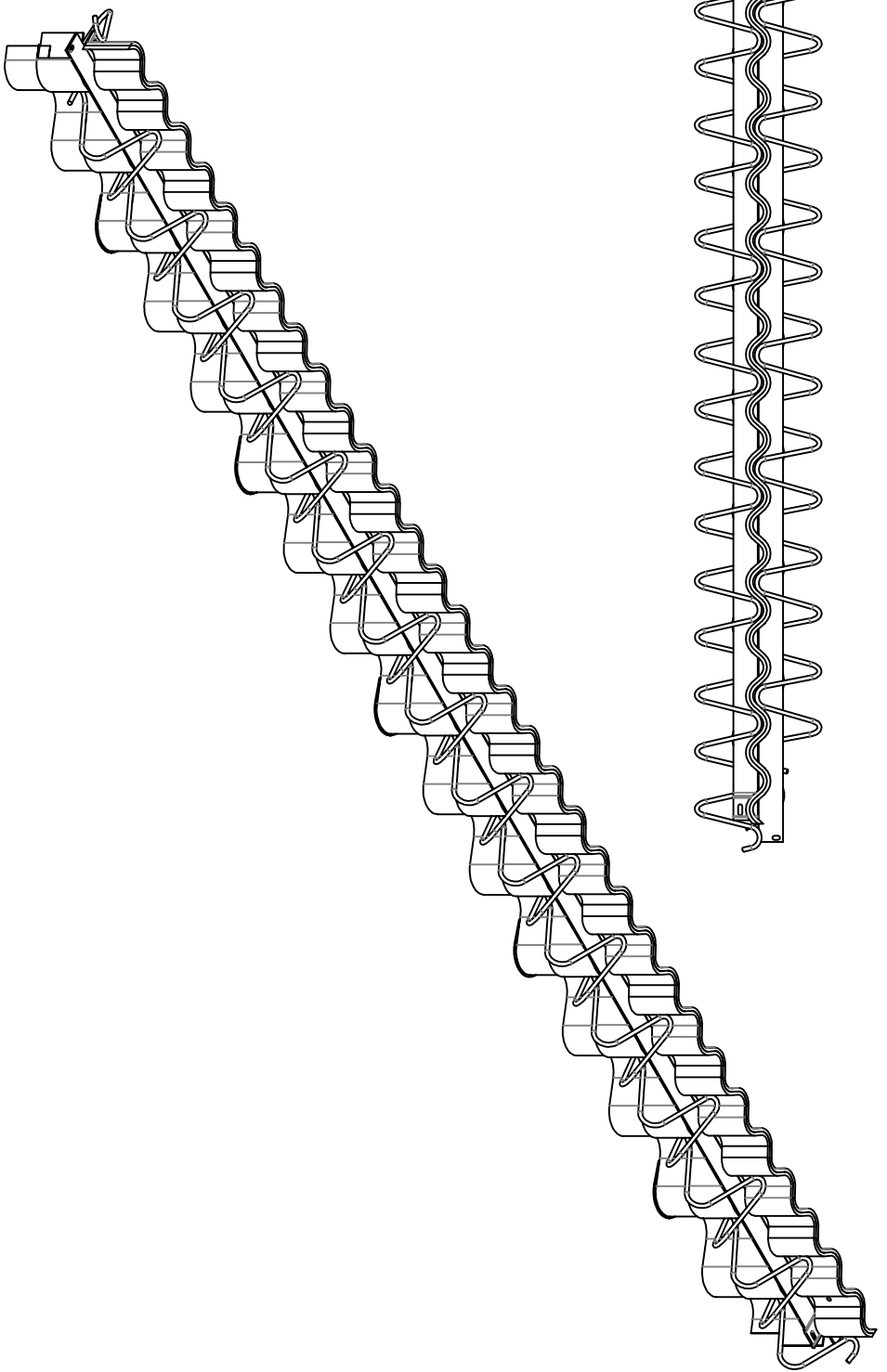
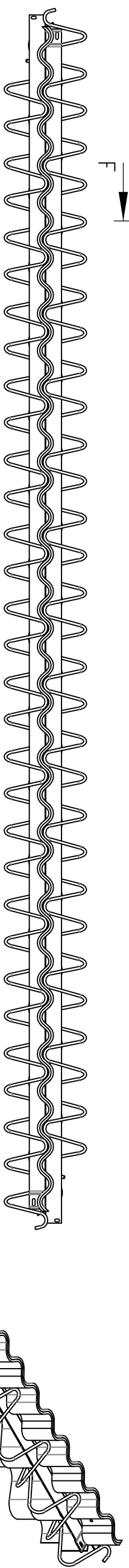
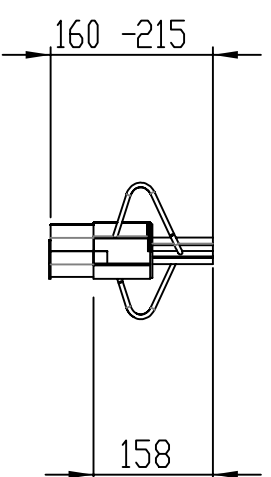


2600



SECTION F-F
SCALE 1 : 5

Available materials:
Steel
Electrogalvanised steel
Stainless steel

PROPRIETARY AND CONFIDENTIAL.
THE INFORMATION CONTAINED IN THIS
DRAWING IS THE SOLE PROPERTY OF
HCJ. ANY REPRODUCTION IN PART OR
AS A WHOLE WITHOUT THE WRITTEN
PERMISSION OF HCJ IS PROHIBITED.



HENGELHOEF
CONCRETE JOINTS

Hengelhoeffstraat 158
3600 Genk, Belgium
Tel. 0032 89 32 39 82
Fax. 0032 89 32 39 88
www.hcjoint.eu
e-mail info@hcjoints.be

TITLE:
Cosinus 160-215 v1

WEIGHT/PC
38,26 Kg

HCJ reserves the right to alter
the products without notice

SIZE A3	DWG. NO. cosinus slide joint	SCALE: 1:10	REV
ALL DIMENSIONS ARE IN MM		DO NOT SCALE DRAWING	SHEET 2 OF 10