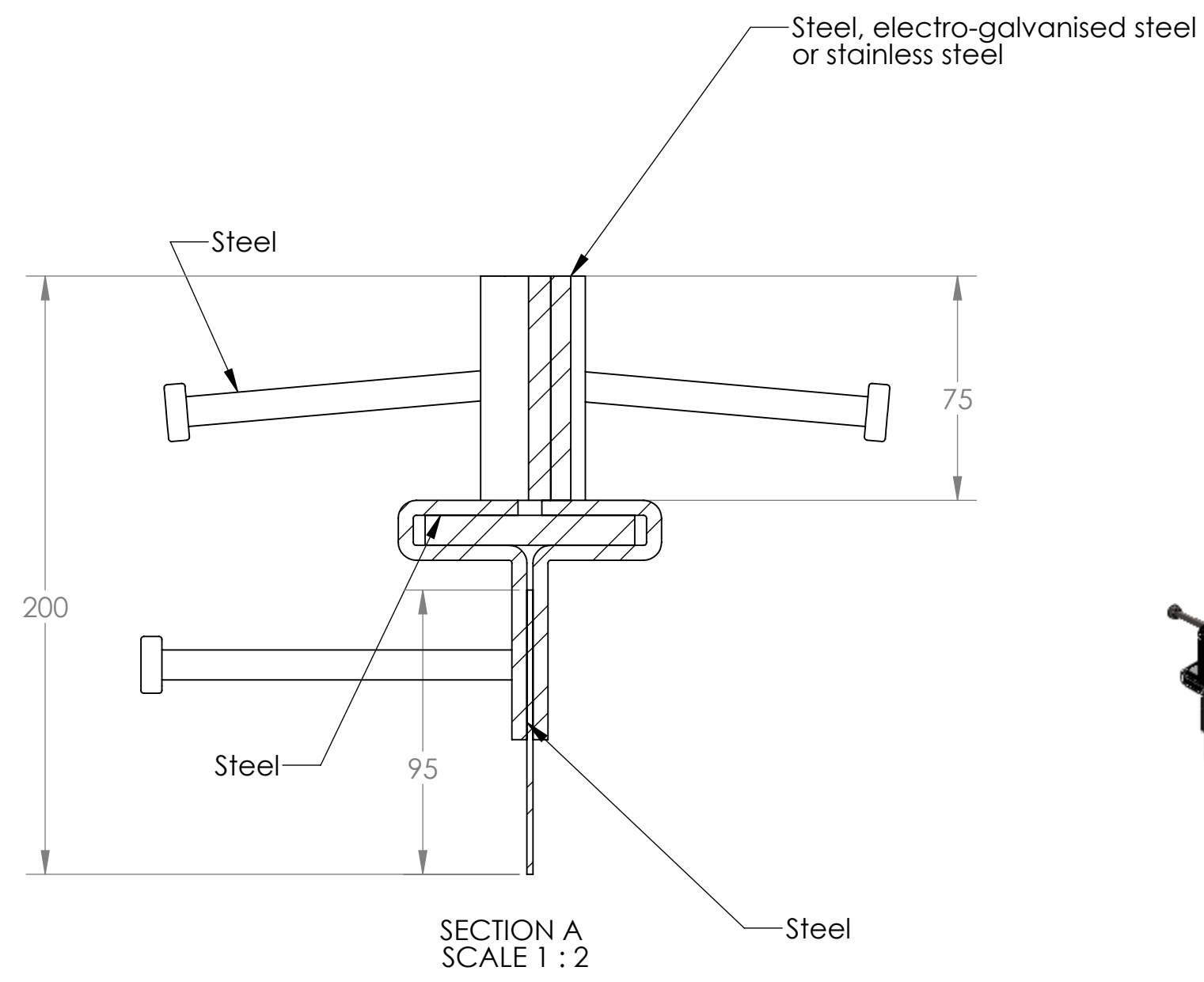
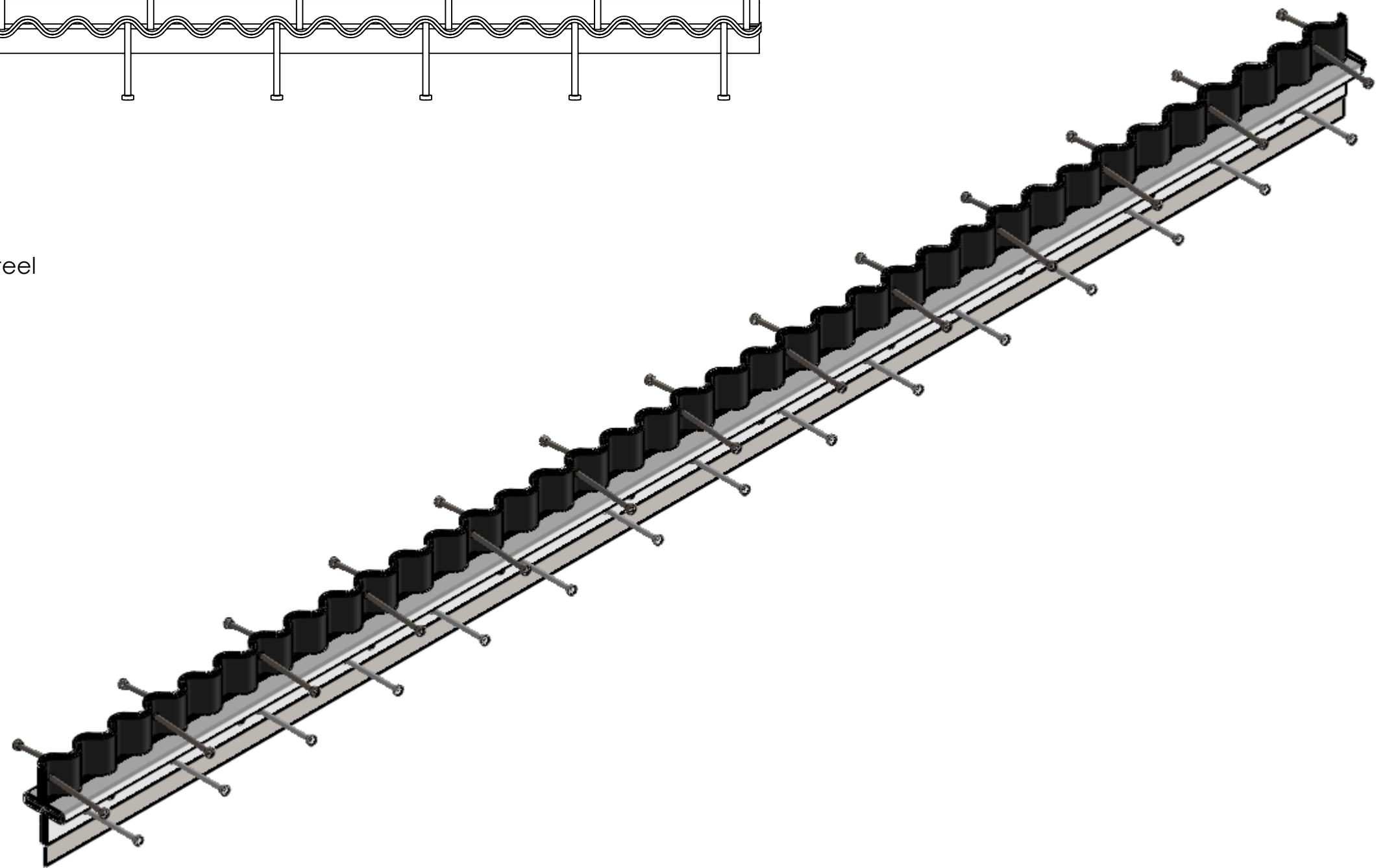
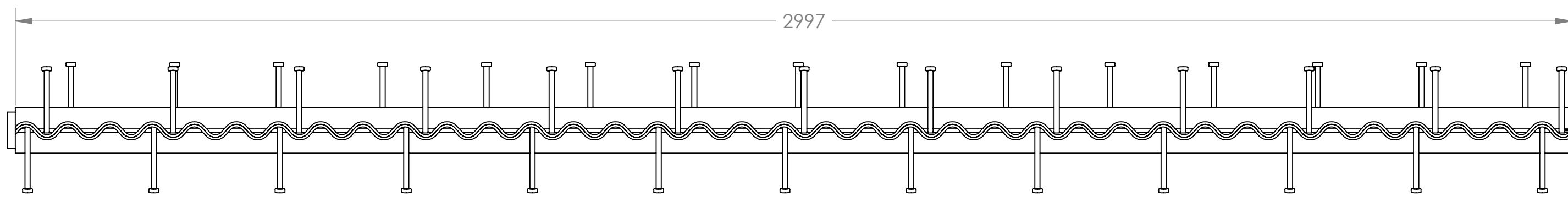
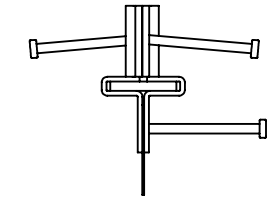
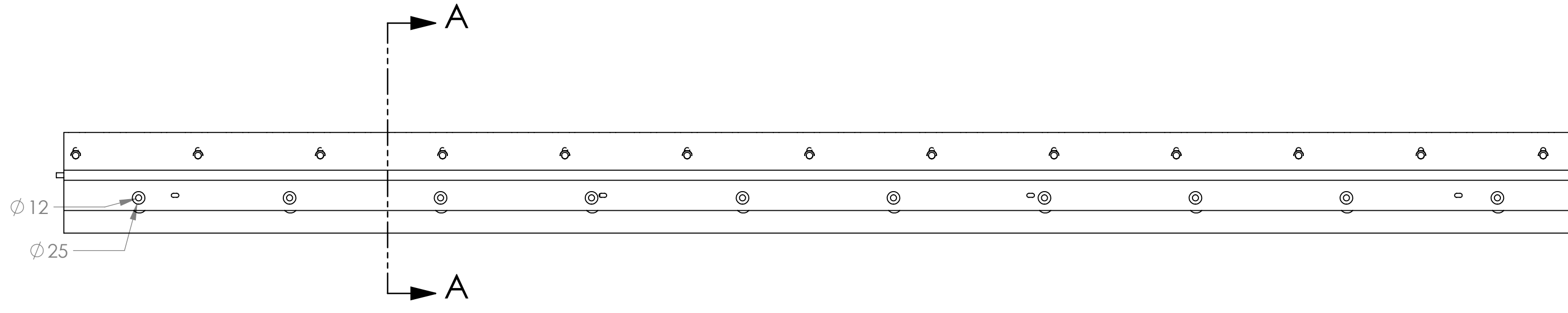



8 7 6 5 4 3 2 1

F
E
D
C
B
A

F
E
D
C
B
A



<p>Available materials:</p> <p>Steel Electrogalvanised steel Stainless steel</p>	<p>PROPRIETARY AND CONFIDENTIAL</p> <p>THE INFORMATION CONTAINED IN THIS DRAWING IS THE SOLE PROPERTY OF HCJ. ANY REPRODUCTION IN PART OR AS A WHOLE WITHOUT THE WRITTEN PERMISSION OF HCJ IS PROHIBITED.</p>		 <p>nv. HENGELHOEF CONCRETE JOINTS</p> <p>Hengelhofstraat 158 3600 Genk, Belgium Tel. 0032 89 32 39 82 Fax. 0032 89 32 39 88 www.hcjoints.eu e-mail info@hcjoints.be</p>
	<p>TITLE:</p> <p>height 180_connection old floor</p>	<p>WEIGHT/PC</p> <p>77.75 Kg</p>	
<p>Hcj reserves the right to alter the products without notice</p>	<p>SIZE</p> <p>C</p>	<p>DWG. NO.</p> <p>HC-Delta SINUS SLIDE B</p>	<p>REV</p> <p>B</p>
	<p>ALL DIMENSIONS ARE IN MM</p>		<p>DO NOT SCALE DRAWING</p>
		<p>SCALE: 2:1</p>	<p>SHEET 1 OF 1</p>

8 7 6 5 4 3 2 1